

# TRESIS 1

**RGB LED full colour**

**FARETTO ORIENTABILE RGB DA INCASSO  
con 3 LED da 3 W**

Faretto con fissaggio tramite molle.  
Consumo: 9 W.

Da utilizzarsi con Modulo Controllo Colore SQR/RGB  
(pg. 192) o DMX-S2 (pg. 198) o DMX-S3 (pg. 200).

**Installazione**  
Tramite molle.

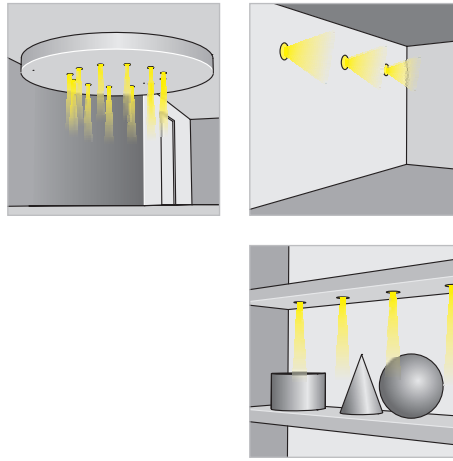
*ADJUSTABLE SPOTLIGHT RGB with 3 LEDs 3 W*

*Spotlight fixed by springs.*

*Consumption: 9 W.*

*To be used with Colour Control code SQR/RGB (pg. 192) or  
DMX-S2 (pg. 198) or DMX-S3 (pg. 200).*

*Installation*  
*By springs.*



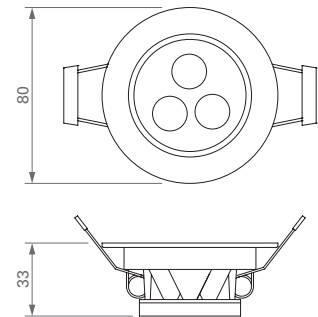
|    |    |    |                      |    |    |                         |  |
|----|----|----|----------------------|----|----|-------------------------|--|
| BI | CR | GR | FINITURA / FINISHING |    |    |                         |  |
| 00 | 10 | 20 | 30                   | 40 | 50 | COLORE LED / LED COLOUR |  |
| 01 | 03 | 04 | FOCALE / BEAM SPREAD |    |    |                         |  |

637-01-

CODICE / CODE



CE IP20 ø78



DIMENSIONI / DIMENSIONS

