

# LSR5-RGB

**RGB LED full colour**

**STRISCE RIGIDE RGB A LED SMD  
MODULARI COMPONENTI**

Angolo di emissione: 120°.

Larghezza della striscia: 12 mm.

Alimentazione: 24 V in corrente continua.

Da utilizzarsi con Modulo Controllo Colore QR/RGB (pg. 194) o DMX-S1 (pg. 196) o DMX-S4 (pg. 202).

*RGB RIGID-MODULAR STRIPS WITH SMD LEDs*

*Beam spread: 120°.*

*Strips width: 12 mm.*

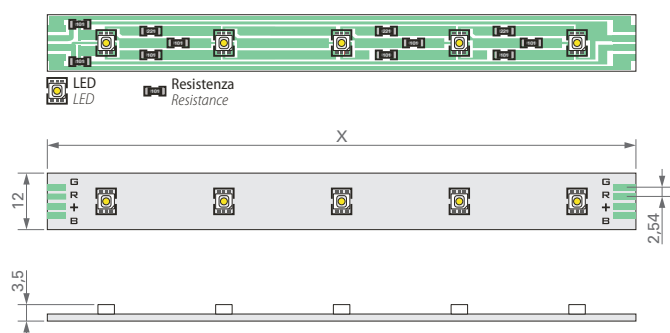
*Supply current: 24 V constant.*

*To be used with Colour Control code QR/RGB (pg. 194) or DMX-S1 (pg. 196) or DMX-S4 (pg. 202).*



Codice Code	LED LED	Lungh. Length	Separ. ogni (x) Section. every (x)	Cons./Striscia Strip Consump.
LSR5-15RGB	15	500 mm	5 led – 167 mm	6,0 W
LSR5-20RGB	20	500 mm	5 led – 125 mm	7,0 W
LSR5-25RGB	25	500 mm	5 led – 100 mm	8,0 W
LSR5-50RGB	50	500 mm	5 led – 50 mm	17,7 W

Circuito di esempio – Sample circuit



DIMENSIONI / DIMENSIONS