

ADET 1

**SEGNAPASSO IN PLEXIGLASS
con 1 LED ø 5 mm**

Plexiglass: trasparente.

Alimentazione: in corrente continua 12 V.

Collegamento in parallelo.

Consumo: inferiore a 0,2 W.

Alimentatore consigliato: cod. TRDC/12V (pg. 182).

Installazione

Incasso a pressione o tramite colla.

PLEXIGLASS LIGHT FITTING with 1 LED ø 5 mm

Plexiglass: transparent.

Supply current: 12 V constant.

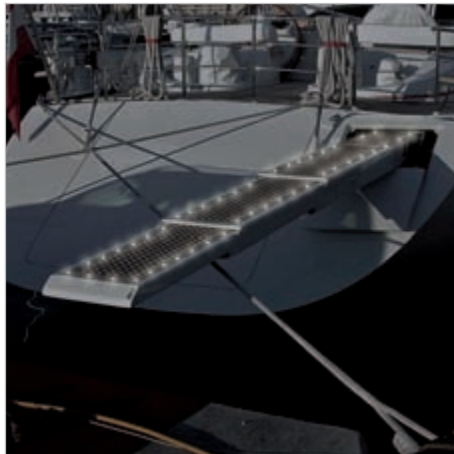
Parallel connection.

Consumption: 0.2 W.

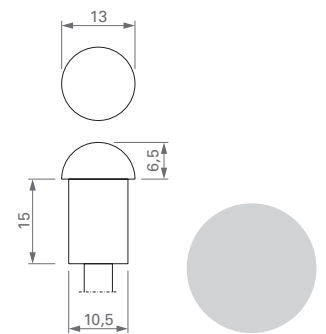
Led power supply: code TRDC/12V (pg. 182).

Installation

By pressure or glue.



FINITURA / FINISHING
↓
00 | 10 | 20 | 30 | 40 COLORE LED / LED COLOUR
↓
FOCALE / BEAM SPREAD
↓
300-01- **PL** **00**
CODICE / CODE



DIMENSIONI / DIMENSIONS

