

DILLA 1

SEGNAPASSO con 9 LED SMD

Corpo: acciaio inox AISI 316.

Vetro: opale.

Alimentazione: in corrente continua 24 V.

Collegamento in parallelo.

Consumo: 1,0 W.

Alimentatore consigliato: cod. TRDC/24V (pg. 183).

Installazione

Tramite cassaforma (inclusa).

LIGHT FITTING with 9 LEDs SMD

Body: stainless steel AISI 316.

Glass: opal.

Supply current: 24 V constant.

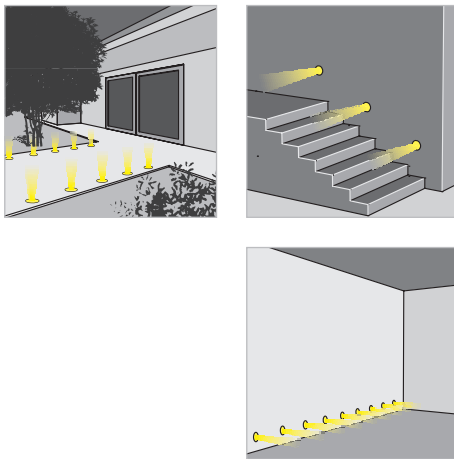
Parallel connection.

Consumption: 1.0 W.

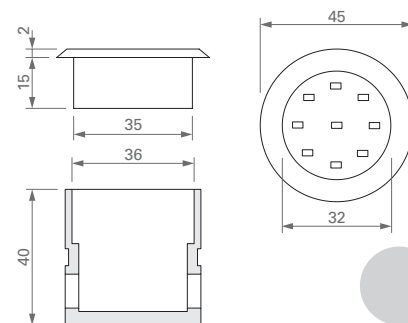
Led power supply: code TRDC/24V (pg. 183).

Installation

By recessed connection box (included).



AL AO FINITURA / FINISHING
 00 10 20 30 40 COLORE LED / LED COLOUR
 FOCALITÀ / BEAM SPREAD
 308-01- 00
 CODICE / CODE



DIMENSIONI / DIMENSIONS

DILLA 2

FARETTO con 1 LED da 3 W

Corpo: acciaio inox AISI 316.

Vetro: trasparente.

Alimentazione: in corrente continua 700 mA.

Collegamento in serie.

Consumo: 3,2 W.

Alimentatore consigliato: cod. TRDC/700mA (pg. 187).

Installazione

Tramite cassaforma (inclusa).

SPOTLIGHT with 1 LED 3 W

Body: stainless steel AISI 316.

Glass: transparent.

Supply current: 700 mA constant.

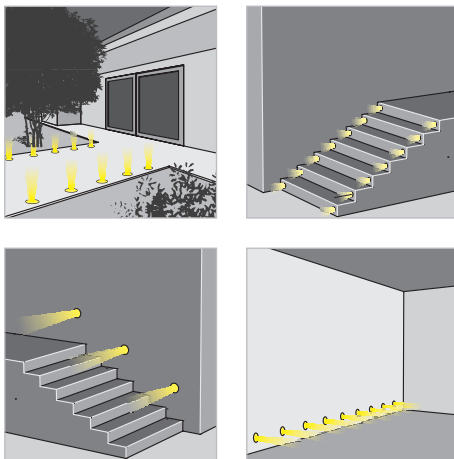
Serial connection.

Consumption: 3.2 W.

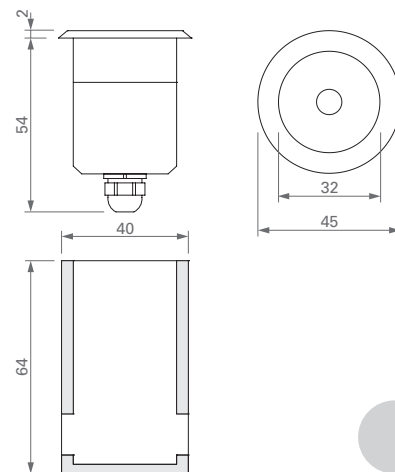
Led power supply: code TRDC/700mA (pg. 187).

Installation

By recessed connection box (included).



AL AO FINITURA / FINISHING
 00 10 20 30 40 COLORE LED / LED COLOUR
 FOCALITÀ / BEAM SPREAD
 308-02-
 CODICE / CODE



DIMENSIONI / DIMENSIONS