

## VELIA 1

### FARETTO FISSO con 1 LED da 1 W

Corpo in plastica.

Alimentazione: in corrente continua 350 mA.

Collegamento in serie.

Consumo: 1,4 W.

Alimentatore consigliato: cod. TRDC/350 mA (pg. 185).

#### Installazione

Incasto a pressione o tramite colla.

### SPOTLIGHT with 1 LED 1 W

Plastic cover.

Supply current: 350 mA constant.

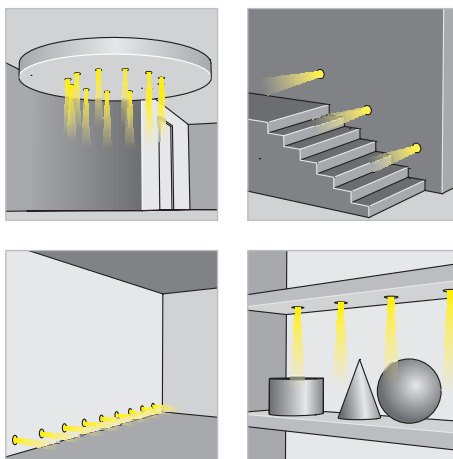
Serial connection.

Consumption: 1.4 W.

Led power supply: code TRDC/350 mA (pg. 185).

#### Installation

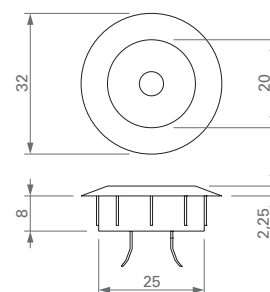
By pressure or glue.



BI NE FINITURA / FINISHING  
00 10 20 30 40 50 COLORE LED / LED COLOUR  
FOCALE / BEAM SPREAD

405-01-   06

CODICE / CODE



DIMENSIONI / DIMENSIONS

## VELIA 2

### FARETTO FISSO con 1 LED da 1 W

Corpo in alluminio.

Alimentazione: in corrente continua 350 mA.

Collegamento in serie.

Consumo: 1,4 W.

Alimentatore consigliato: cod. TRDC/350 mA (pg. 185).

#### Installazione

Incasto a pressione o tramite colla.

### SPOTLIGHT with 1 LED 1 W

Aluminium cover.

Supply current: 350 mA constant.

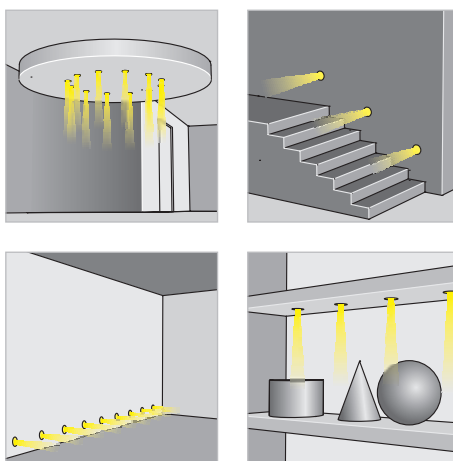
Serial connection.

Consumption: 1.4 W.

Led power supply: code TRDC/350 mA (pg. 185).

#### Installation

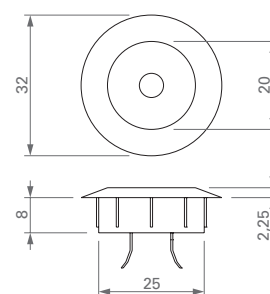
By pressure or glue.



CR GR FINITURA / FINISHING  
00 10 20 30 40 50 COLORE LED / LED COLOUR  
FOCALE / BEAM SPREAD

406-02-   06

CODICE / CODE



DIMENSIONI / DIMENSIONS