

HOLMIA 1

FARETTO ORIENTABILE con 1 LED da 1 W

Alimentazione: in corrente continua 350 mA.

Collegamento in serie.

Consumo: 1,4 W.

Alimentatore consigliato: cod. TRDC/350mA (pg. 185).

Installazione

Tramite molle.

ADJUSTABLE SPOTLIGHT with 1 LED 1 W

Supply current: 350 mA constant.

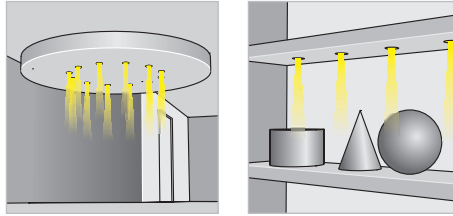
Serial connection.

Consumption: 1.4 W.

Led power supply: code TRDC/350mA (pg. 185).

Installation

By springs.



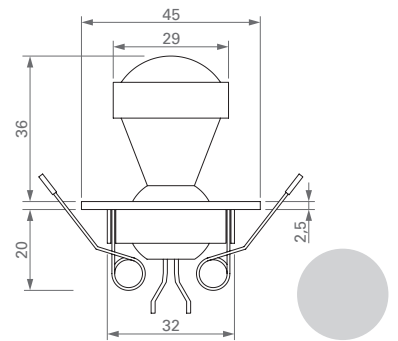
CR	GR	NE	OR	FINITURA / FINISHING		
00	10	20	30	40	50	COLORE LED / LED COLOUR
06	08	FOCALE / BEAM SPREAD				

410-01-

CODICE / CODE



CE IP40 ø34



DIMENSIONI / DIMENSIONS

HOLMIA 2

FARETTO ORIENTABILE con 1 LED da 3 W

Alimentazione: in corrente continua 700 mA.

Collegamento in serie.

Consumo: 3,2 W.

Alimentatore consigliato: cod. TRDC/700mA (pg. 187).

Installazione

Tramite molle.

ADJUSTABLE SPOTLIGHT with 1 LED 3 W

Supply current: 700 mA constant.

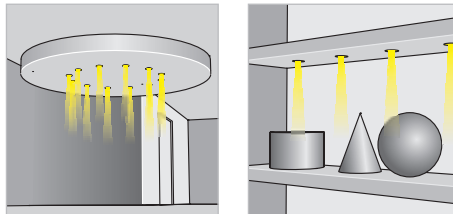
Serial connection.

Consumption: 3.2 W.

Led power supply: code TRDC/700mA (pg. 187).

Installation

By springs.



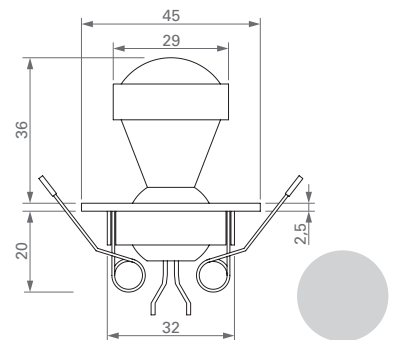
CR	GR	NE	OR	FINITURA / FINISHING		
00	10	20	30	40	50	COLORE LED / LED COLOUR
06	08	FOCALE / BEAM SPREAD				

415-02-

CODICE / CODE



CE IP40 ø34



DIMENSIONI / DIMENSIONS